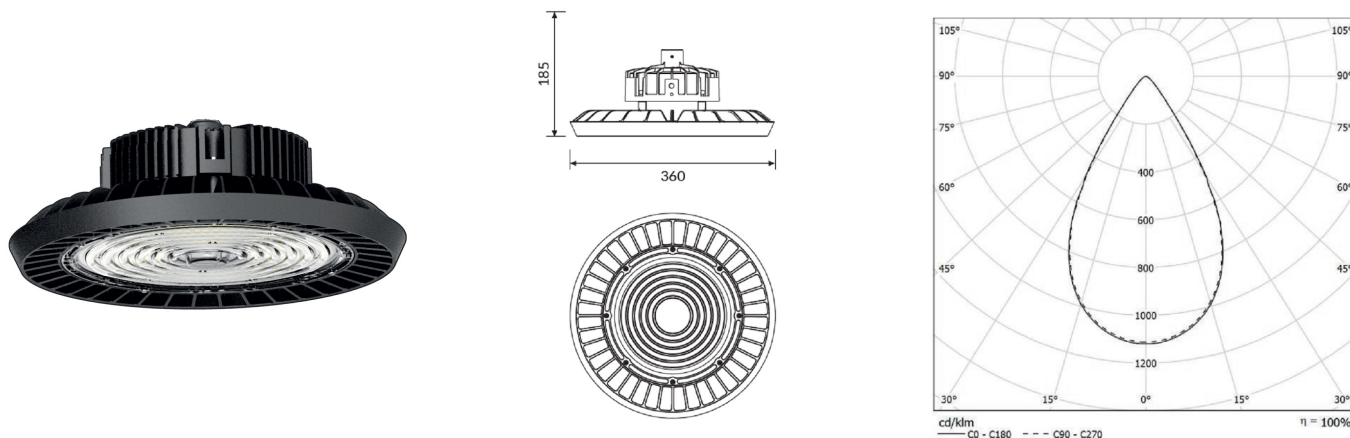


## ERGO ESSENTIAL LARGE

die-cast aluminum with epoxy powder coating. CRI>80. IP65 indoor.



CODE		FLUX	SIZE	CERTIFICATIONS
02PC300K4110LED	300W 110° - 4000K	39000	360Ø	CE IP65 LED ENERGY EFFICIENCY CLASS E 

### Ottica

Polycarbonate lens , emission 60°-110°

### Specifiche

color temperature: 3000K/4000K

CRI>80

McAdams 3

IK10

Life Time: L80/B10 >50.000h

5 years warranty

Eye Safety: RG0/RG1 in accordance with con EN62471:2009

temperature range: -30° / +45°

### Corpo

Manufactured from die-cast aluminum with epoxy powder coating.

### Riferimento Normativo

In compliance with the safety standards EN 60 598-1 and UNI EN 12464-1 (lighting for working places)

### Wiring

D: Standard wiring is 220-240V, DALI dimmable